

## ПРЕДПРИЯТИЕ МАКСАЭРО

- Производство воздуховодов и систем вентиляции
- Клапаны противопожарные
- Клапаны дымоудаления
- Вентиляторы общепром, дымоудаления, крышные

220056, г. Минск, ул. Стариновская, 15

Тел./факс: +375 17 244-67-44, 258-67-51, 347-73-56, 252-54-27

Velcom: +375 29 603-88-99

E-mail: [olegaero@yandex.by](mailto:olegaero@yandex.by)

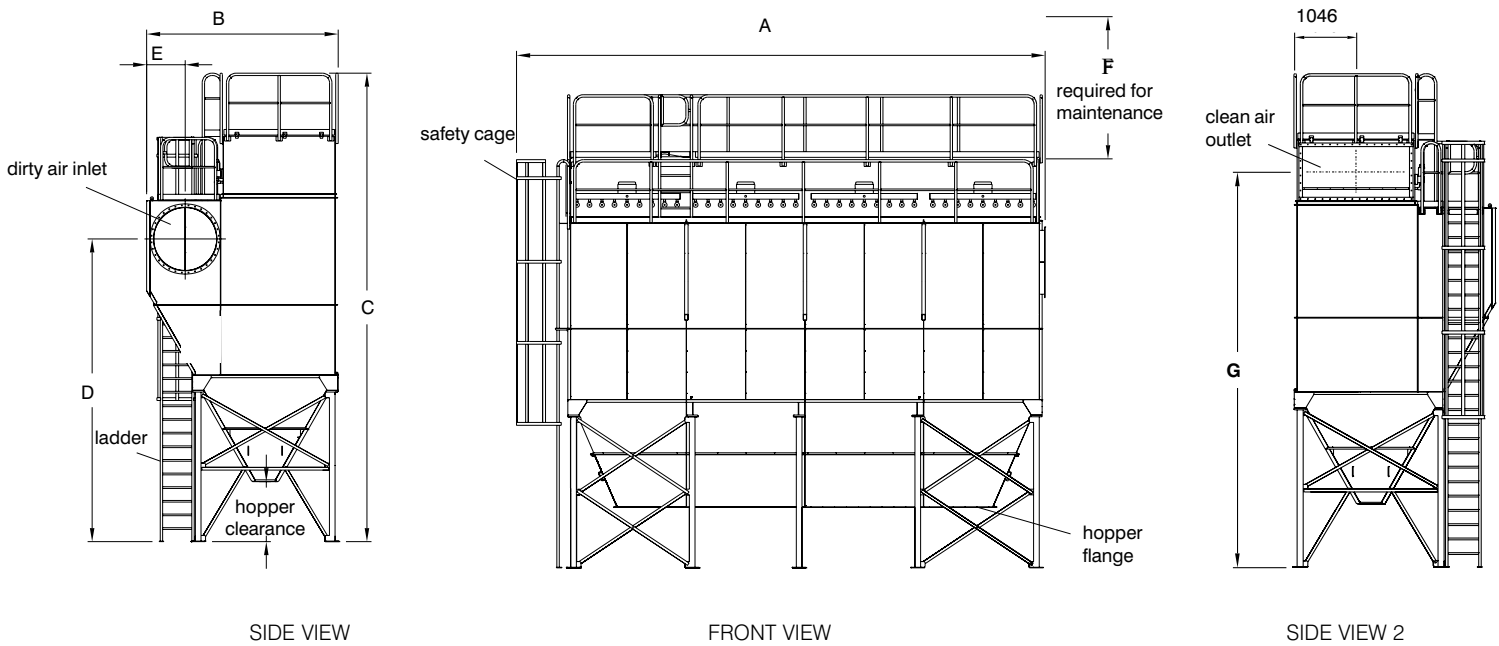
[www.maxaero.by](http://www.maxaero.by)



# Модульный пылесборник Donaldson MBT



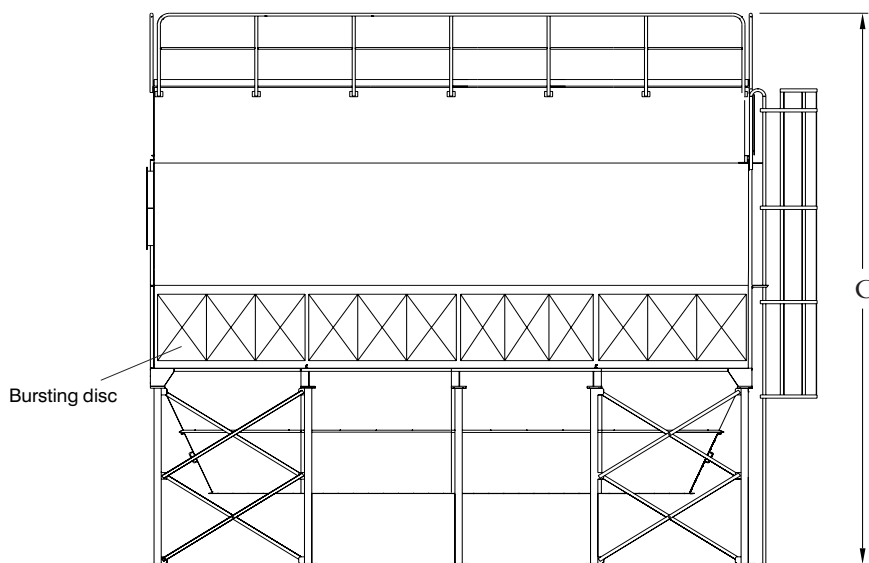
# Modular Baghouse Dust Collectors



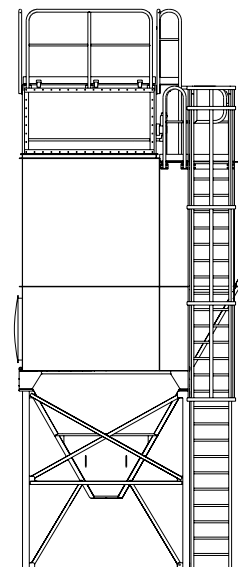
**MBT STANDARD dust collector**  
Model 324 MBT10 illustrated

## SPECIFICATIONS

Model	Inlet size	No. of filter bags	Filtration area Dura-life (m <sup>2</sup> )	DIMENSIONS (mm)							Approx. net weight (kg)
				A	B	C	D	E	F	G	
243 MBT8	NW710/800/900/1000	243	290	7206	3283	6785	5435	609	2500	5905	6790
	NW1120			7206	3397	6785	4765	664	2500	5905	6870
243 MBT10	NW710/800/900/1000	243	362	7206	3283	7395	5555	609	3000	6515	7125
	NW1120			7206	3397	7395	5375	664	3000	6515	7200
324 MBT8	NW710/800/900/1000	324	386	9290	3283	7708	4943	609	2500	6050	8900
	NW1120			9290	3397	7708	4761	664	2500	6050	8960
	NW1250/1400			9290	3620	7708	4383	778	2500	6050	9040
324 MBT10	NW710/800/900/1000	324	483	9290	3283	8318	5553	609	3000	6660	9280
	NW1120			9290	3397	8318	5371	664	3000	6660	9340
	NW1250/1400			9290	3620	8318	4993	778	3000	6660	9420
405 MBT8	NW710/800/900/1000	405	483	11374	3283	7708	4943	609	2500	6050	10940
	NW1120			11374	3397	7708	4761	664	2500	6050	10990
	NW1250/1400			11374	3620	7708	4383	778	2500	6050	11070
405 MBT10	NW1000	405	603	11374	3283	7708	4943	609	2500	6660	11370
	NW1120			11374	3397	8318	5371	664	3000	6660	11430
	NW1250/1400			11374	3620	8318	4993	778	3000	6660	11510



FRONT VIEW



SIDE VIEW

**MBT Reinforced dust collector**

Model 324 MBT-10-R illustrated

**REINFORCED VERSION SPECIFICATIONS**

Vent area per bursting panel = 0,5 m<sup>2</sup> (Position = 0° -side)  
 Activation overpressure Pstat= 0,1 bar  
 Reduced pressure Pred = 0,3 bar  
 Unit suitable for ST-2 dusts (Kst max = 300 bar.m/s, Pmax = 10 bar)

Model	No. of bursting panels	Dimensions(mm) C	Approx. net weight (kg) (hopper clear. 1500mm)
243 MBT	9	7395	7922
324 MBT	12	8318	10270
405 MBT	15	8318	12573

**INLET AND OUTLET FLANGE SIZES**

**Dirty air inlet size(\*)**

NW710  
 NW800  
 NW900  
 NW1000  
 NW1120  
 NW1250  
 NW1400

**Model type**

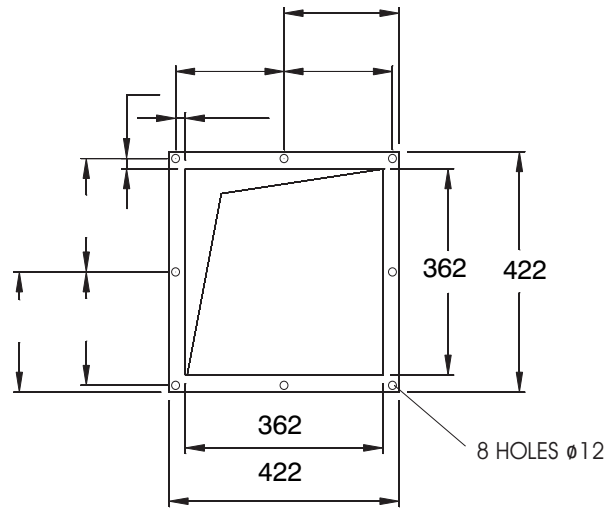
	243 MBT	324 MBT	405 MBT8	405 MBT10
NW710	x	x	x	
NW800	x	x	x	
NW900	x	x	x	
NW1000	x	x	x	x
NW1120	x	x	x	x
NW1250		x	x	x
NW1400		x	x	x
<b>Clean air outlet size (**)</b>				
1800 x 560	x			
1800 x 850		x	x	x

(\*) DIN 24154/2 (July 1990)

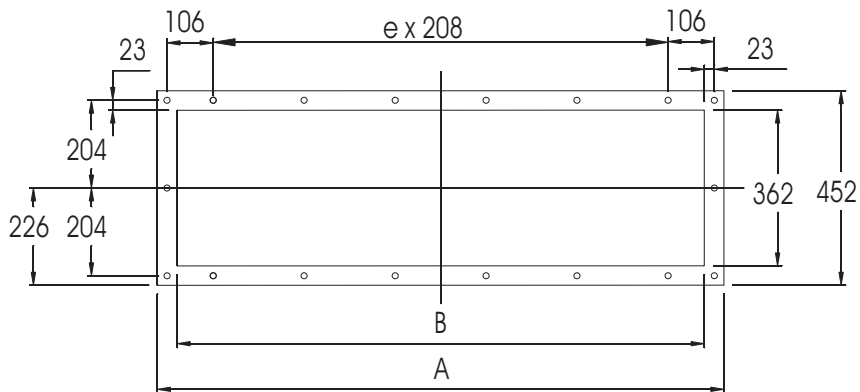
(\*\*) DIN 24193/2 (February 1988)

# Data Sheet

## MBT Dust Collector



**Hopper flange details (362 x 362)**



**Hopper flange details Valley hopper**

Model	Dimensions (mm)			Holes
	A	B	e	
243 MBT	4633	4534	21	50 x $\varnothing$ 14
324 MBT	6718	6628	31	70 x $\varnothing$ 14
405 MBT	8804	8744	41	90 x $\varnothing$ 14

### DESIGN SPECIFICATIONS (standard equipment)

- Operating temperature: -10° to 65°C
- Maximum operating pressure range : -5kPa (-500 mm WG)
- Wind load rating: 160 km/u
- Finishing: Colour RAL 5019 (blue ) - Splatter paint (acrylic - isocyanate resin combination)
- Hot dip galvanised railings, ladder and safety cage

### COMPRESSED AIR REQUIREMENTS

Max 7 bar

Pressure range: 6-7 bar

Clean air (maximum particle size: 50  $\mu$ m)

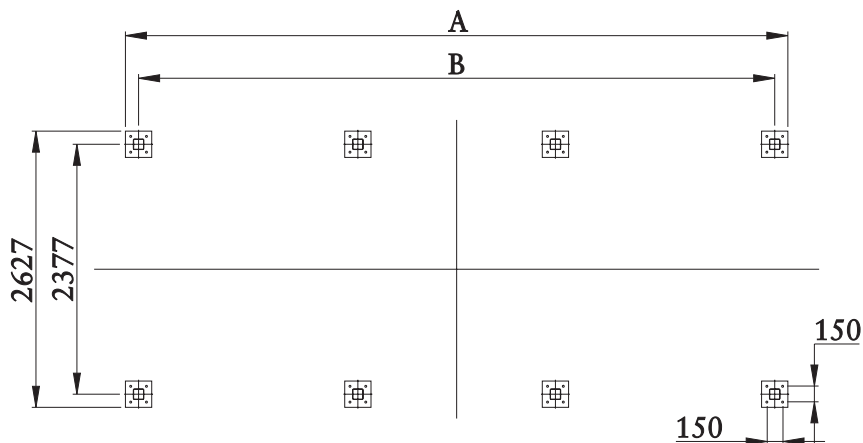
Free of condense at working temperature

Max. oil content: 3mg/m<sup>3</sup>

Approximate compressed air usage:  $\pm$  50 Nlitres per puls per manifold

243MBT: 54Nm<sup>3</sup>/h; 324MBT + 405MBT: 72 Nm<sup>3</sup>/h

(valid only for a pulse duration of 100 ms and 10 s pulse interval at 7 bar)



**Footprint details**

Model	Dimensions(mm)		
	A	B	# legs
243 MBT	6300	6050	8
324 MBT	8384	8135	10
405 MBT	10470	10220	12

**PULSE NOISE LEVEL\***

- Standard unit:

LpAeq: <78dB (A-weighted equivalent continuous sound pressure level)

Δ L: <10dB (impulsive noise content)

- Unit with extra noise attenuation:

LpAeq < 70 dB

(\*) Measurement according DIN 45635/1 at 1 m distance, with 6 bar compressed air pressure, pulse interval of 15s, semi free field conditions, usual tolerance ± 2 dB.

**ELECTRICAL SPECIFICATIONS**

Full automatic cleaning mechanism: IPC / IPC Delta P controller

Pulse time: 100 ms, Interval time: 10 s

Voltage supply: 110/240 VAC - 50/60 Hz or 24 VDC

Control box protection class: IP65

Solenoid voltage: 24 V DC

**OPTIONS**

- Full range of filter bag medias
- Compressed air - oil/water separator and accessories
- Earthed execution
- ATEX certified unit on request (Zone 22 unit standard configured)
- Hopper clearance 400, 1065 or 1500mm
- Pyramid or Valley hopper