

ПРЕДПРИЯТИЕ МАКСАЭРО

- Производство воздуховодов и систем вентиляции
- Клапаны противопожарные
- Клапаны дымоудаления
- Вентиляторы общепром, дымоудаления, крышные

220056, г. Минск, ул. Стариновская, 15

Тел./факс: +375 17 244-67-44, 258-67-51, 347-73-56, 252-54-27

Velcom: +375 29 603-88-99

E-mail: olegaero@yandex.by

www.maxaero.by



Электромагнитные клапаны ХСРС серии ХС22 дополнительные характеристики



2 Position 2 Way Solenoid Valves

This kind of valve widely used in wide different industry, you can find the valve with different material like brass, stainless steel, engineering plastic, and they are used for pressure range from 0 to 50 bar, temperature from -10 °C to 180°C. If there is no current models with your meet, please contact us, we are available to provide specialized valves according to your requirement.



General Information About Solenoid Valve

Inner structure and categories of two way solenoid valves 

Direct acting solenoid valves

Including normal close style (N.C.) and normal open style(N.O.). The N.C. style solenoid valve stay close at power off condition. When power on, the coil yields electricity-magnetic force, which exceed the spring force and hence pulls active armature approaching to static armature, the valve becomes open; when power off, the electricity-magnetic force disappear and the active armature go back to its original place by the spring force, the valve close. The N.O. style is just opposite. These valve are normally simple structure, dependable action, fast response, high, frequency and with ≤6mm small orifice size(N.O. style ≤4mm).

Diaphragm pilot solenoid valves

This style valve makes main valve and pilot valve together, when power on, the coil yields electricity-magnetic force pulls active armature approaching to static armature, the pilot valve open and control the main valve to open; when power off, the electricity-magnetic force disappear and with the gravity and spring force, the active armature close the pilot valve, which control the main valve to close. The N.O. style is just opposite. These valve are normally with bigger orifice size and ≤10Bar working pressure and with zero differential working pressure.

Piston pilot solenoid valves

Similar with piston pilot solenoid valves, but supports for higher pressure and temperature, with ≥1 Bar differential working pressure.

Seal Features 

Material	NBR	HNBR	EPDM	VMQ	FKM	PTFE	PU
Medium Applicability							
Highest working temperature	80℃	120℃	120℃	180℃	120℃	200℃	80℃
Lowest working temperature	-5℃	-10℃	-20℃	-40℃	-20℃	-50℃	-20℃
Anti-burning	×	×	×	△	⊙	⊙	△
Steam	×	△	⊙	○	△	○	×
Oil	⊙	⊙	×	△	⊙	⊙	⊙
O ₃	△	⊙	⊙	⊙	⊙	⊙	⊙
Chemical	△	○	⊙	⊙	⊙	⊙	⊙
Acid	△	○	⊙	△	⊙	⊙	×
Alkalinity	○	⊙	⊙	△	⊙	⊙	×
Water	○	○	⊙	○	○	⊙	⊙
Wearing	○	⊙	○	×	○	⊙	⊙
Anti distortion	○	○	○	⊙	○	×	×
Tension	⊙	⊙	⊙	×	○	×	⊙

Description of the symbol: ⊙ Very good ○ Good △ Normal level × Not OK

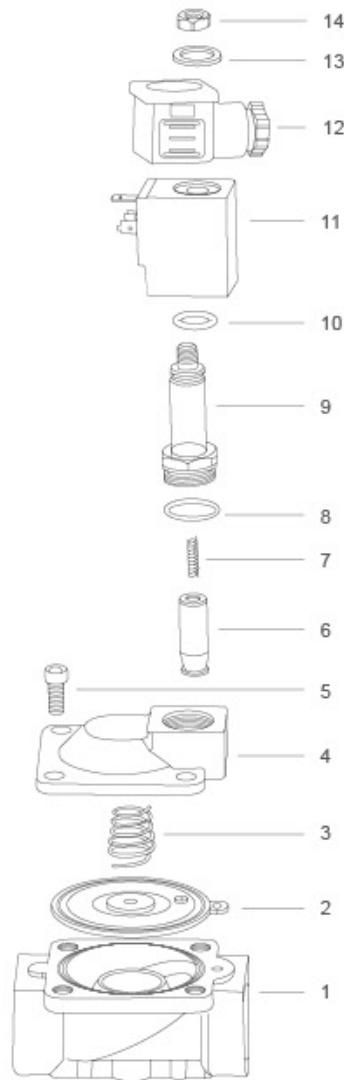


General Information About Solenoid Valve

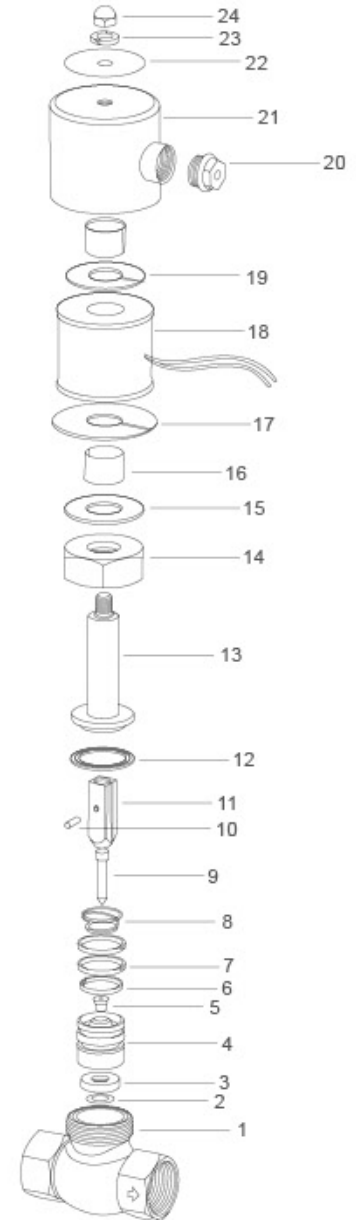
Part List 



No	Designation
1	Valve body
2	O-ring
3	Seal pad
4	Pilot
5	Spring
6	Armature
7	Coil
8	Steel washer
9	Washer
10	Spring washer
11	Nut



No	Designation
1	Valve body
2	Diaphragm
3	Diaphragm spring
4	Valve cover
5	Hexagon screw
6	Pilot units
7	Plunger Spring
8	O-ring
9	Plunger tube assembly
10	O-ring
11	Coil
12	Connector
13	Gasket
14	Lock Nut



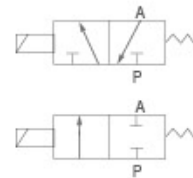
No	Designation	No	Designation
1	Valve body	13	Static armature
2	Washer	14	Nut
3	Seal pad	15	Gasket
4	Valve core	16	Bushing
5	Seal	17	Steel plate
6	Gasket	18	Coil
7	Guide ring	19	Steel plate
8	Spring	20	Nut
9	Valve needle	21	Steel cover
10	Pin	22	Min plate
11	Armature	23	Spring washer
12	Seal ring	24	Nut



XC22/23 Series Solenoid Valve



Graphic Symbol



Ordering Code

XC	23	—	06	—	AC220V
Factory Code	The Position counting 22: Two position two way 23: Two position three way		Port Size 06: G1/8" 08: G1/4"		Standard Voltage DC12V DC24V AC24V 50/60Hz AC36V 50/60Hz AC110V 50/60Hz AC220V 50/60Hz AC380V 50/60Hz

Specification

Model	XC22-06		XC22-08		XC23-06	XC23-08	
Working Medium	Air, Water, Oil					Air	
Aperture of Flow Rate(mm)	1.6	2.4	3.2	4.0	1.6		
CV Value	0.10	0.21	0.33	0.43	0.1		
Port size	G1/8"		G1/4"		G1/8"	G1/4"	
Working-pressure Range	0~1.5	0~1.0	0~0.7	0~0.5	0~0.9		
Voltage Range						±10%	
Material of oil seal						NBR or VITON	

Overall Dimensions

