

ПРЕДПРИЯТИЕ МАКСАЭРО

- Производство воздуховодов и систем вентиляции
- Клапаны противопожарные
- Клапаны дымоудаления
- Вентиляторы общепром, дымоудаления, крышные

220056, г. Минск, ул. Стариновская, 15

Тел./факс: +375 17 244-67-44, 258-67-51, 347-73-56, 252-54-27

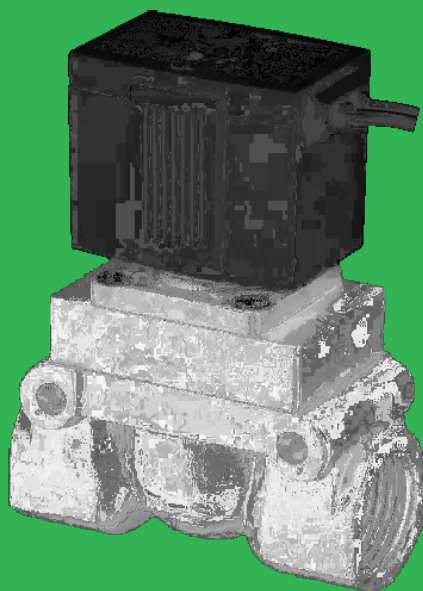
Velcom: +375 29 603-88-99

E-mail: olegaero@yandex.by

www.maxaero.by



Электромагнитные клапаны ХСРС серии ХС5404 дополнительные характеристики



2 Position 2 Way Solenoid Valves

This kind of valve widely used in wide different industry, you can find the valve with different material like brass, stainless steel, engineering plastic, and they are used for pressure range from 0 to 50 bar, temperature from -10 °C to 180°C. If there is no current models with your meet, please contact us, we are available to provide specialized valves according to your requirement.



General Information About Solenoid Valve

Inner structure and categories of two way solenoid valves 

Direct acting solenoid valves

Including normal close style (N.C.) and normal open style(N.O.). The N.C. style solenoid valve stay close at power off condition. When power on, the coil yields electricity-magnetic force, which exceed the spring force and hence pulls active armature approaching to static armature, the valve becomes open; when power off, the electricity-magnetic force disappear and the active armature go back to its original place by the spring force, the valve close. The N.O. style is just opposite. These valve are normally simple structure, dependable action, fast response, high, frequency and with ≤6mm small orifice size(N.O. style ≤4mm).

Diaphragm pilot solenoid valves

This style valve makes main valve and pilot valve together, when power on, the coil yields electricity-magnetic force pulls active armature approaching to static armature, the pilot valve open and control the main valve to open; when power off, the electricity-magnetic force disappear and with the gravity and spring force, the active armature close the pilot valve, which control the main valve to close. The N.O. style is just opposite. These valve are normally with bigger orifice size and ≤10Bar working pressure and with zero differential working pressure.

Piston pilot solenoid valves

Similar with piston pilot solenoid valves, but supports for higher pressure and temperature, with ≥1 Bar differential working pressure.

Seal Features 

Material	NBR	HNBR	EPDM	VMQ	FKM	PTFE	PU
Medium Applicability							
Highest working temperature	80℃	120℃	120℃	180℃	120℃	200℃	80℃
Lowest working temperature	-5℃	-10℃	-20℃	-40℃	-20℃	-50℃	-20℃
Anti-burning	×	×	×	△	⊙	⊙	△
Steam	×	△	⊙	○	△	○	×
Oil	⊙	⊙	×	△	⊙	⊙	⊙
O ₃	△	⊙	⊙	⊙	⊙	⊙	⊙
Chemical	△	○	⊙	⊙	⊙	⊙	⊙
Acid	△	○	⊙	△	⊙	⊙	×
Alkalinity	○	⊙	⊙	△	⊙	⊙	×
Water	○	○	⊙	○	○	⊙	⊙
Wearing	○	⊙	○	×	○	⊙	⊙
Anti distortion	○	○	○	⊙	○	×	×
Tension	⊙	⊙	⊙	×	○	×	⊙

Description of the symbol: ⊙ Very good ○ Good △ Normal level × Not OK

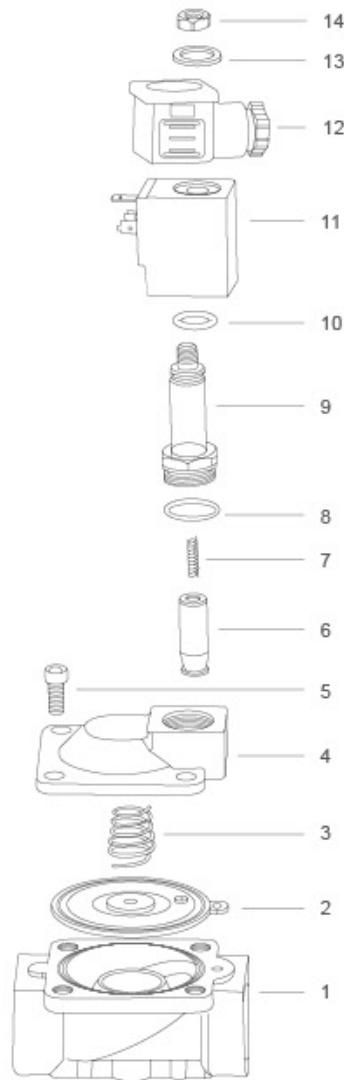


General Information About Solenoid Valve

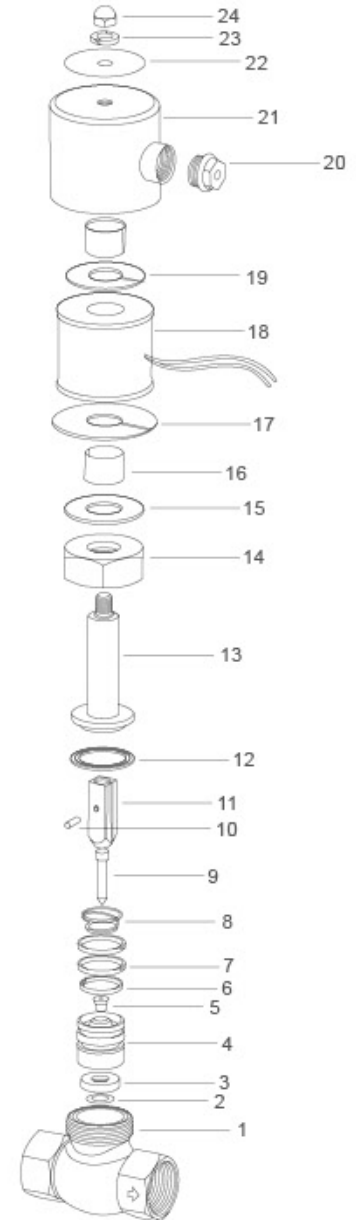
Part List 



No	Designation
1	Valve body
2	O-ring
3	Seal pad
4	Pilot
5	Spring
6	Armature
7	Coil
8	Steel washer
9	Washer
10	Spring washer
11	Nut



No	Designation
1	Valve body
2	Diaphragm
3	Diaphragm spring
4	Valve cover
5	Hexagon screw
6	Pilot units
7	Plunger Spring
8	O-ring
9	Plunger tube assembly
10	O-ring
11	Coil
12	Connector
13	Gasket
14	Lock Nut



No	Designation	No	Designation
1	Valve body	13	Static armature
2	Washer	14	Nut
3	Seal pad	15	Gasket
4	Valve core	16	Bushing
5	Seal	17	Steel plate
6	Gasket	18	Coil
7	Guide ring	19	Steel plate
8	Spring	20	Nut
9	Valve needle	21	Steel cover
10	Pin	22	Min plate
11	Armature	23	Spring washer
12	Seal ring	24	Nut



XC5404 Series High Pressure, High Temperature Solenoid Valve



Ordering Code

XC	5404	04	AC220V	<input type="checkbox"/>
Factory Code	Model	Port Size	Standard Voltage	Wiring Form
		02:G1/4"	DC12V DC24V	Blank:Lead Wire Type
		04:G1/2"	AC24V 50/60Hz	D:Joint Connector
		06:G3/4"	AC36V 50/60Hz	
		08:G1"	AC110V 50/60Hz	
			AC220V 50/60Hz	
			AC380V 50/60Hz	

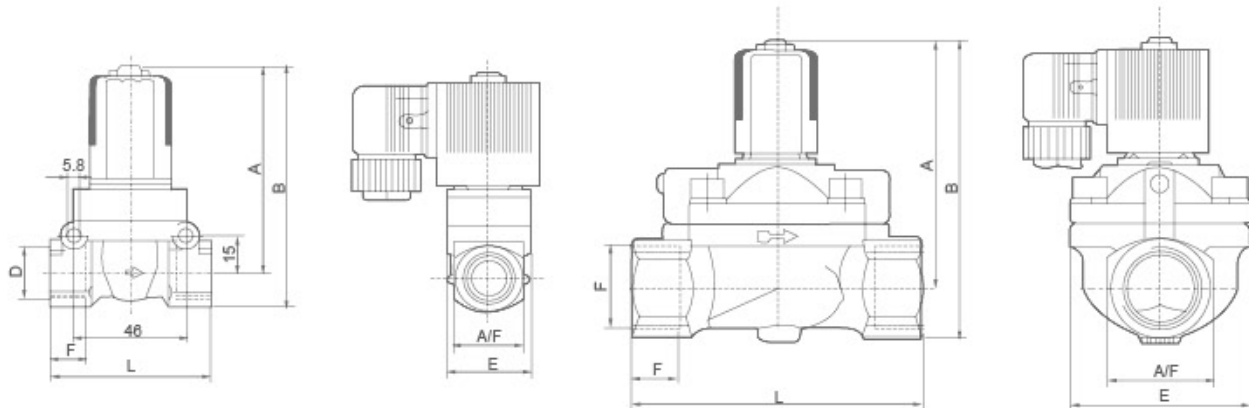
Graphic Symbol



Specification

Model	XC5404-04	XC5404-06	XC5404-08
Working Medium	Air, Water, Oil		
Motion Pattern	Guide Type		
Type	Normal Close Type		
Aperture of Flow Rate(mm)	12	25	25
KV Value	2.0	5.0	10.0
Joint Pipe Bore	G1/2"	G3/4"	G1"
Working-pressure(kgf/cm ²)	Gas:1~50,Liquid:1~50	Gas:1~40,Liquid:1~25	Gas:1~40, Liquid:1~25
Max. Pressure Resistance(kgf/cm ²)	75	60	
Operating Temperature Range(℃)	-5~+150℃		
Voltage Range	±10%		
Protect Class	IP65		
Power Consumption	AC:5.5VA DC:9W		
Insulation	F Class		
Material of Body	Brass		
Material of Oil Seal	PTFE		

Overall Dimensions



Dimension Sheet

Model	Bore(mm)	Port	A	B	F	E	L	A/F
XC5404-04	12.0	G1/2"	83.0	98	14	32	63	27
XC5404-06	20.0	G3/4"	99.5	125	16	60	92	40
XC5404-08	25.0	G1"	99.5	125	16	60	92	40