

## ПРЕДПРИЯТИЕ МАКСАЭРО

- Производство воздуховодов и систем вентиляции
- Клапаны противопожарные
- Клапаны дымоудаления
- Вентиляторы общепром, дымоудаления, крышные

220056, г. Минск, ул. Стариновская, 15

Тел./факс: +375 17 244-67-44, 258-67-51, 347-73-56, 252-54-27

Velcom: +375 29 603-88-99

E-mail: olegaero@yandex.by

www.maxaero.by



# Электромагнитные клапаны ХСРС серии PU225 дополнительные характеристики



## 2 Position 2 Way Solenoid Valves

This kind of valve widely used in wide different industry, you can find the valve with different material like brass, stainless steel, engineering plastic, and they are used for pressure range from 0 to 50 bar, temperature from -10 °C to 180°C. If there is no current models with your meet, please contact us, we are available to provide specialized valves according to your requirement.



## General Information About Solenoid Valve

Inner structure and categories of two way solenoid valves 

### Direct acting solenoid valves

Including normal close style (N.C.) and normal open style(N.O.). The N.C. style solenoid valve stay close at power off condition. When power on, the coil yields electricity-magnetic force, which exceed the spring force and hence pulls active armature approaching to static armature, the valve becomes open; when power off, the electricity-magnetic force disappear and the active armature go back to its original place by the spring force, the valve close. The N.O. style is just opposite. These valve are normally simple structure, dependable action, fast response, high, frequency and with  $\leq 6\text{mm}$  small orifice size(N.O. style  $\leq 4\text{mm}$  ).

### Diaphragm pilot solenoid valves

This style valve makes main valve and pilot valve together, when power on, the coil yields electricity-magnetic force pulls active armature approaching to static armature, the pilot valve open and control the main valve to open; when power off, the electricity-magnetic force disappear and with the gravity and spring force, the active armature close the pilot valve, which control the main valve to close. The N.O. style is just opposite. These valve are normally with bigger orifice size and  $\leq 10\text{Bar}$  working pressure and with zero differential working pressure.

### Piston pilot solenoid valves

Similar with piston pilot solenoid valves, but supports for higher pressure and temperature, with  $\geq 1\text{ Bar}$  differential working pressure.

Seal Features 

Material	NBR	HNBR	EPDM	VMQ	FKM	PTFE	PU
Medium Applicability							
Highest working temperature	80°C	120°C	120°C	180°C	120°C	200°C	80°C
Lowest working temperature	-5°C	-10°C	-20°C	-40°C	-20°C	-50°C	-20°C
Anti-burning	×	×	×	△	⊙	⊙	△
Steam	×	△	⊙	○	△	○	×
Oil	⊙	⊙	×	△	⊙	⊙	⊙
O <sub>3</sub>	△	⊙	⊙	⊙	⊙	⊙	⊙
Chemical	△	○	⊙	⊙	⊙	⊙	⊙
Acid	△	○	⊙	△	⊙	⊙	×
Alkalinity	○	⊙	⊙	△	⊙	⊙	×
Water	○	○	⊙	○	○	⊙	⊙
Wearing	○	⊙	○	×	○	⊙	⊙
Anti distortion	○	○	○	⊙	○	×	×
Tension	⊙	⊙	⊙	×	○	×	⊙

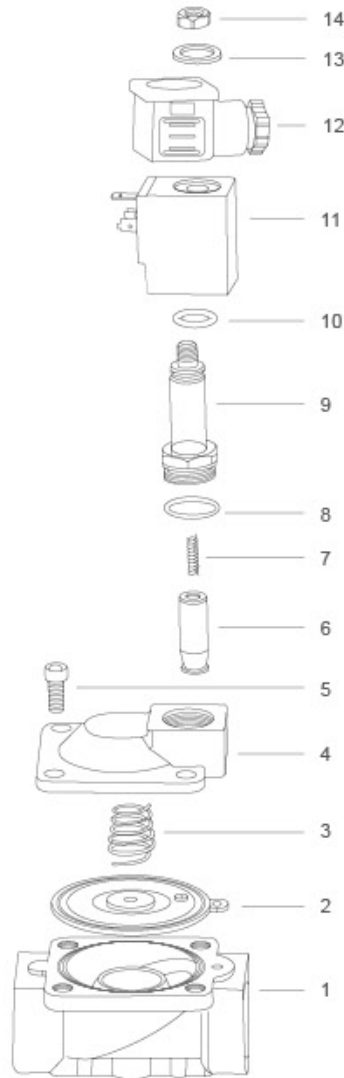
Description of the symbol: ⊙ Very good ○ Good △ Normal level × Not OK

## General Information About Solenoid Valve

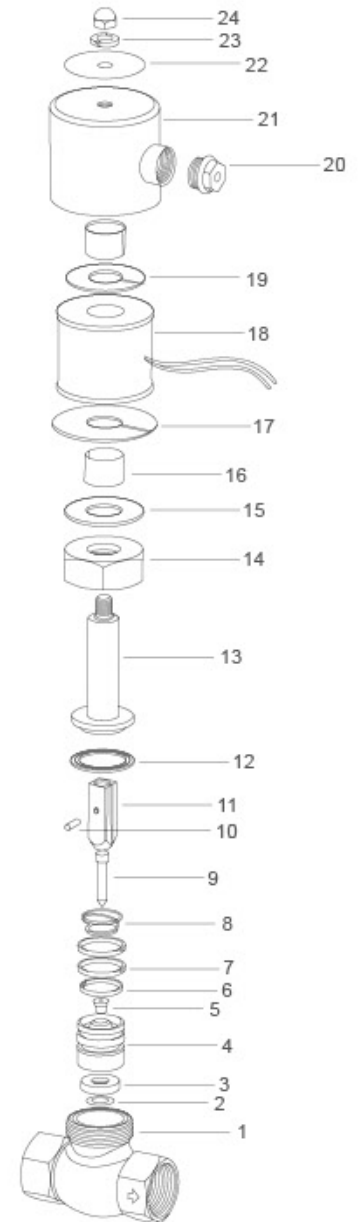
Part List 



No	Designation
1	Valve body
2	O-ring
3	Seal pad
4	Pilot
5	Spring
6	Armature
7	Coil
8	Steel washer
9	Washer
10	Spring washer
11	Nut



No	Designation
1	Valve body
2	Diaphragm
3	Diaphragm spring
4	Valve cover
5	Hexagon screw
6	Pilot units
7	Plunger Spring
8	O-ring
9	Plunger tube assembly
10	O-ring
11	Coil
12	Connector
13	Gasket
14	Lock Nut



No	Designation	No	Designation
1	Valve body	13	Static armature
2	Washer	14	Nut
3	Seal pad	15	Gasket
4	Valve core	16	Bushing
5	Seal	17	Steel plate
6	Gasket	18	Coil
7	Guide ring	19	Steel plate
8	Spring	20	Nut
9	Valve needle	21	Steel cover
10	Pin	22	Min plate
11	Armature	23	Spring washer
12	Seal ring	24	Nut



**E**

## PU 225 Series 2/2 Solenoid Valve(Guide Type)



Ordering Code

**PU**

**225**

**03**

**A**

**AC220V**

**T**

**Specification Code**  
 PU: Two-position two-way solenoid valve  
 SPU: Stainless steel two-position two-way solenoid valve

**Motion Pattern**  
 225: Guide Type

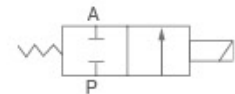
**Port Size**  
 03: G3/8"  
 04: G1/2"  
 06: G3/4"  
 08: G1"  
 12: G1 1/4"  
 14: G1 1/2"  
 20: G2"

**Initial Estate**  
 A: Standard Type  
 F: Flange Type

**Standard Voltage**  
 AC220V  
 AC110V  
 DC12V  
 DC24V

**Wiring Form**  
 Blank: Standard Coil  
 T: Timer Coil

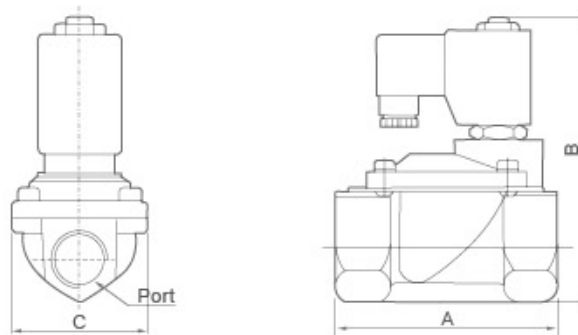
Graphic Symbol



Specification

Model	PU225-03A	PU225-04A	PU225-06A	PU225-08A	PU225-12A	PU225-14A	PU225-20A
	SPU225-03A	SPU225-04A	SPU225-06A	SPU225-08A	SPU225-12A	SPU225-14A	
Working Medium	Air, Water, Oil						
Motion Pattern	Guide Type						
Type	Normal Close Type						
Aperture of Flow Rate(mm)	13	13	25	25	38	38	50
CV Value	4.50	4.50	12.00	12.00	22.00	30.00	48.00
Port Size	G3/8"	G1/2"	G3/4"	G1"	G1 1/4"	G1 1/2"	G2"
Operation Fluid Viscosity	50 CST (Below)						
Working-pressure	0.05~1.0MPa						
Max. Pressure Resistance	1.5MPa						
Operating Temperature Range	-5~+80°C						
Material of Body	Brass or steel						

Overall Dimensions



Dimension Sheet

Model	Port	A	B	C
PU225-03A	G3/8"	66.5	106.5	48.0
SPU225-03A				
PU225-04A	G1/2"	66.5	106.5	48.0
SPU225-04A				
PU225-06A	G3/4"	72.0	113.0	58.0
SPU225-06A				
PU225-08A	G1"	96.0	121.0	70.0
SPU225-08A				
PU225-12A	G1 1/4"	128.0	145.5	96.0
SPU225-12A				
PU225-14A	G1 1/2"	128.0	145.5	96.0
SPU225-14A				
PU225-20A	G2"	161.0	160.5	112.0

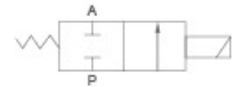
## PU 225 Series Solenoid Valve(Steam Type)



### Ordering Code

<b>PU</b>	<b>225</b>	<b>03</b>	<b>S</b>	<b>AC110V</b>
<b>Specification Code</b> PU:Two-position two-way solenoid valve	<b>Motion Patten</b> 225:GuideType	<b>Port Size</b> 03:G3/8" 04:G1/2" 06:G3/4" 08:G1"	<b>Initial Estate</b> S: Steam Type	<b>Standard Voltage</b> AC230V AC110V DC12V DC24V

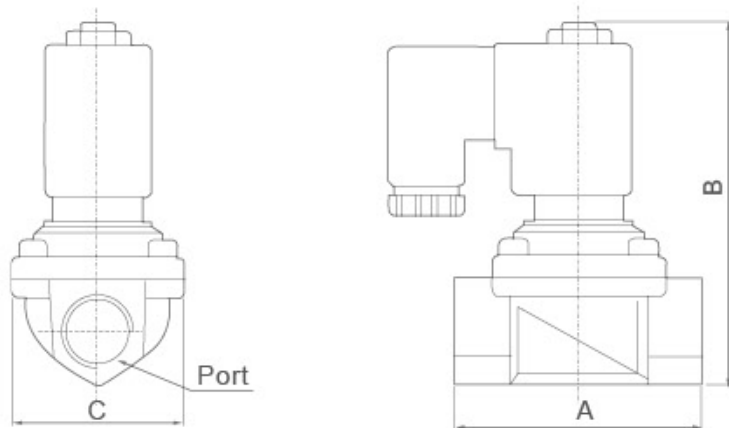
Graphic Symbol



### Specifcation

Model	PU225-03S	PU225-04S	PU225-06S	PU225-08S
Working Medium	Air, Water, Oil			
Motion Pattern	Guide Type			
Type	Normal Close Type			
Aperture of Flow Rate(mm)	13	13	25	25
CV Value	4.50	4.50	12.00	12.00
Port Size	G3/8"	G1/2"	G3/4"	G1"
Operation Fluid Viscosity	50 CST			
Working-pressure	0.05~1.0MPa			
Max. Pressure Resistance	1.5MPa			
Operating Temperature Range	-10~+185℃			

### Overall Dimensions



### Dimension Sheet

Model	Port	A	B	C
PU225-03S	G3/8"	65	121	48
PU225-04S	G1/2"	65	121	48
PU225-06S	G3/4"	97	152	70
PU225-08S	G1"	97	152	70